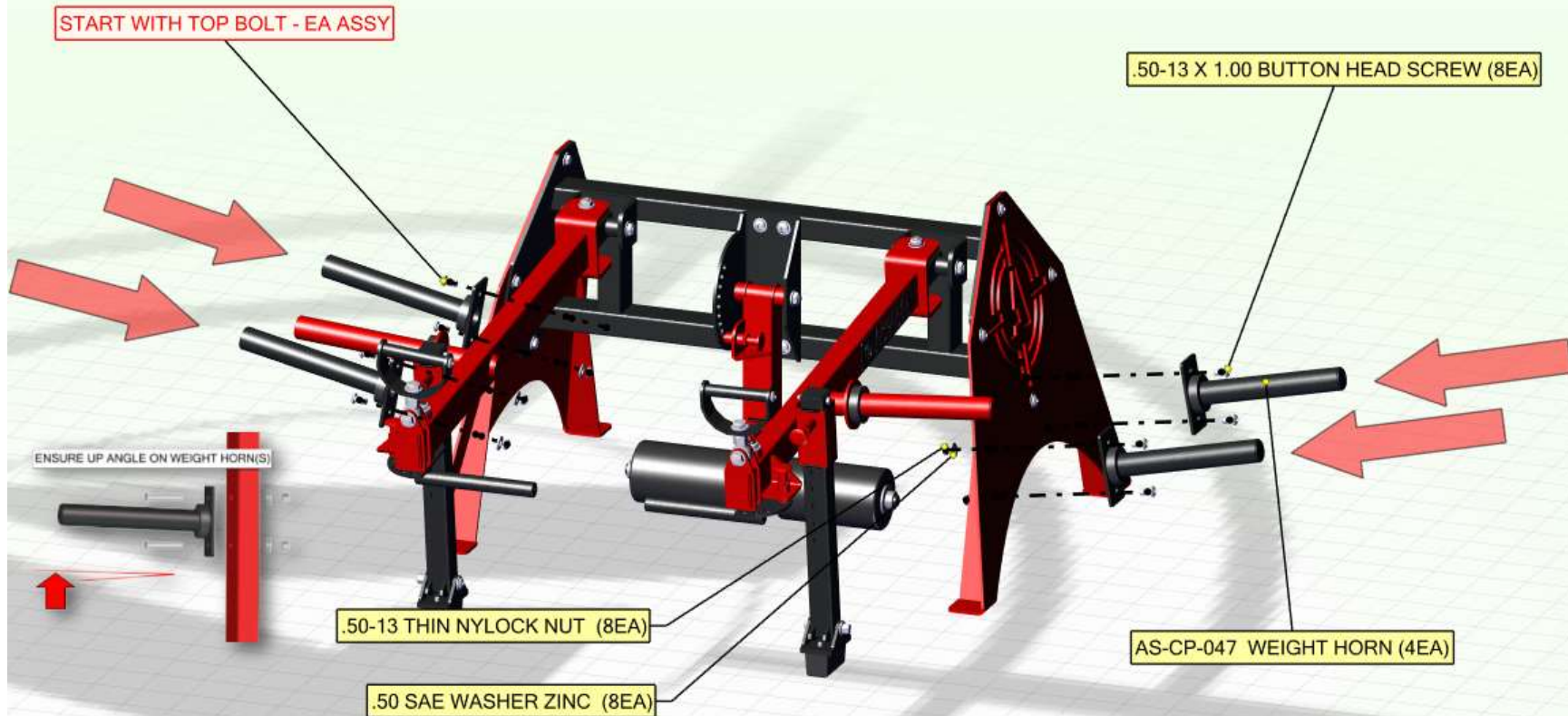


9063 AR FLEX INSTALLATION INSTRUCTIONS-OP1



1. REMOVE ALL SARAN WRAP AND SHIPPING BRACKETS. RETAIN FASTENERS. INSTALL ANY FOOTPADS.
2. ENSURE THE END OF THE WEIGHT HORN IS OREINTATED UP TO RETAIN WEIGHTS AT ASSY, STARTING WITH THE TOP .50-13X1.00 BHCS FOR EACH ASSEMBLY, MOUNT WEIGHT HORN ASSY WITH (2 EA ASSY) .50-13X1.00 BHCS, THRU WEIGHT HORN MOUNT, THRU FRAME, WASHER, AND THIN NYLOCK NUT. TIGHTEN ALL-(4 TOTAL ASSY).



9063 | INSTALLATION - STEP 1